

24V/48V 16S Battery Management System

PRODUCT FEATURES

FLEXIBILITY AND COMPATIBLE

- Parameter is adjustable
- 5 BMS in parallel at most
- Smart Upper Software to monitor
- Compatible with all popular inverter
- External Display can replace upper software

SAFETY AND RELIABILITY

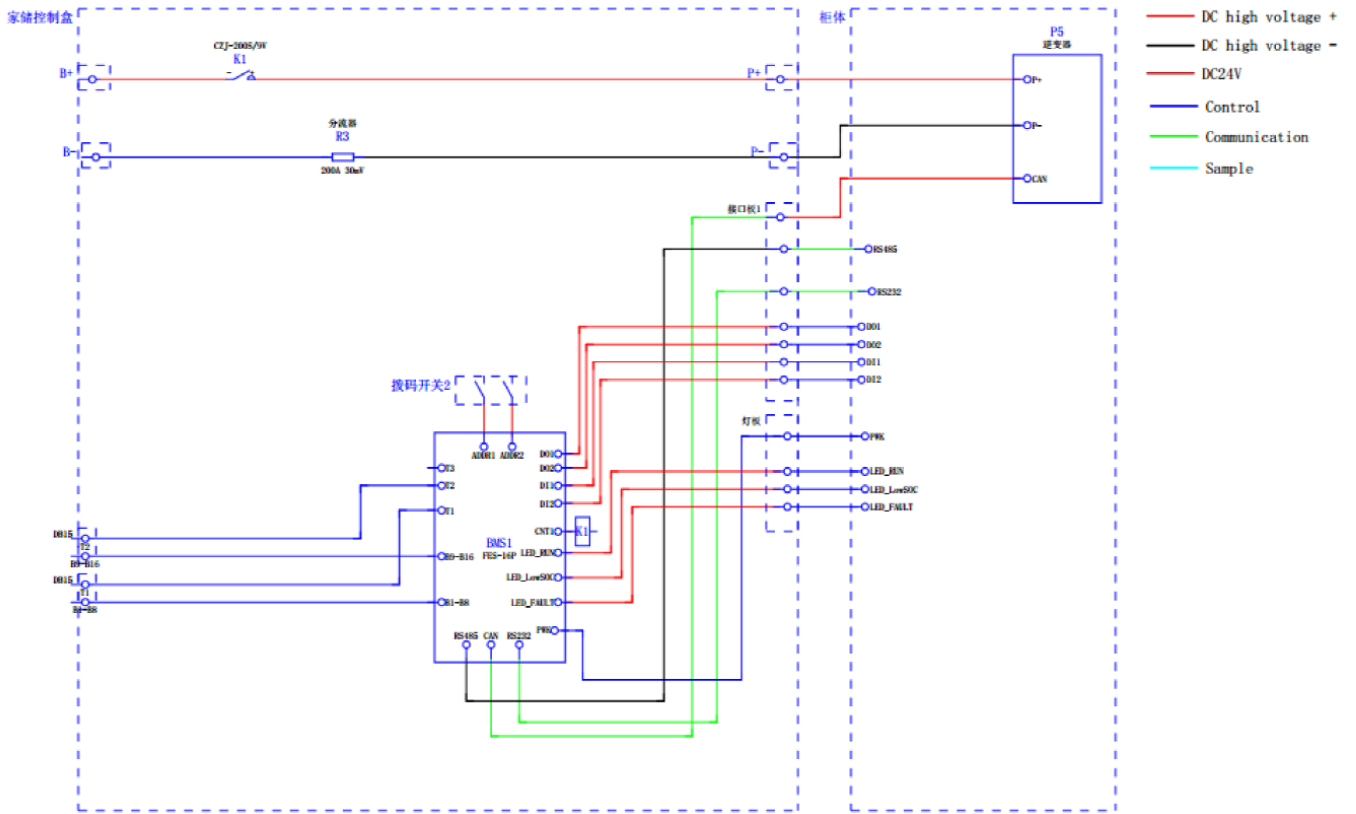
- High grade PCB and Chip
- Advanced Protection Strategy
- Separated and Strong Cabinet
- Passive Equalization

Weight: 3.5KG

48V TYPICAL SPECIFICATION

Parameter	Min	Typical	Max	Unit
Specification				
Working Volt (Out power supply)	32	52	72	V
Working Current, Working Mode		22	50	mA
Working Current, Low Power Mode			150	uA
Cell Voltage Inspection				
Ports		16		
detection range	2		5	V
Detection resolution		1		mV
detection precision	-0.5%		0.5%	
detect errors		16		mV
temperature measurement				
port number		2		
Detection resolution		1		°C
detection precision		1%		
detection range	-40		85	°C
Accuracy of SOC				
estimate accuracy		5%		
Shunt current detection				
Shunt voltage	-200		200	mV
detection range	-200		200	A
detection precision		1.0%		
RS-485 Communication^[1]				
port number		1		
Baud rate		9600		Bps
communication protocol	MODBUS			
Isolation type	Isolation			

Product Diagram



Compatible Inverter

Compatible Inverter	Communication/Interface
SMA	CAN/RJ45
VICTRON	CAN/RJ45
GOODWE	CAN/RJ45
STUDER	CAN/RJ45
GROWATT	CAN/RJ45
SOLIS	CAN/RJ45
INVT	CAN/RJ45

Note: Above List is not including all

Product Display



External Screen with PCB

