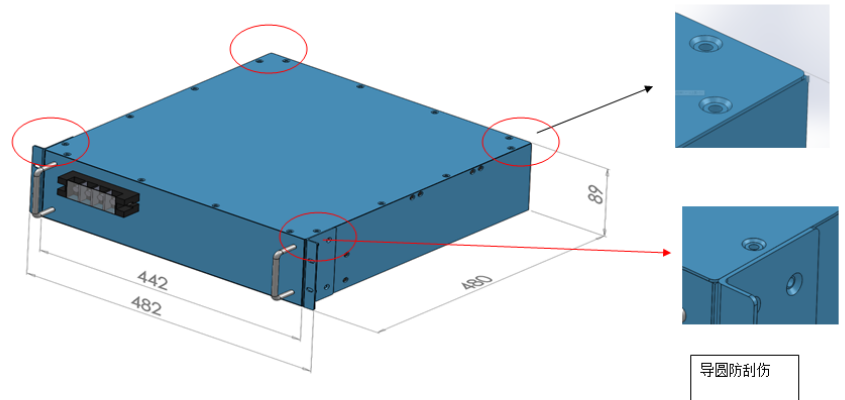




24V 100AH
Lithium Battery
Lead Acid Replacement



Weight: 19KG

PRODUCT FEATURES

FLEXIBILITY AND COMPATIBLE

- Easy to install with simple connection
- No Limit On Capacity Extends
- Digital Display to Show SOC And Voltage
- High Energy Density
- Bluetooth Function Optional

SAFETY AND RELIABILITY

- High safety grade of battery
- Long cycle life
- Advanced BMS Protection
- Replacing Lead Acid
- Lithium Battery Tech

TYPICAL SPECIFICATION

	项目 Item	参数 Spec	备注 Note
电芯 Cell	电池类型 Type	LiFePO4 Battery	
	标称容量 Nominal Capacity	100Ah	Discharge : 0.25C Cut-off Voltage:2.5V
	最小容量 Minimum Capacity	100Ah	Discharge : 0.25C Cut-off Voltage: 2.5V
	标称电压 Nominal Voltage	3.2V	
	内阻 Internal Impedance	≤0.8mΩ	
电池组 Battery Pack	组合方式 Pack Method	4S1P	
	标称容量 Nominal Capacity	100Ah	Discharge : 0.25C Cut-off Voltage:20V
	最小容量 Minimum Capacity	95Ah	Discharge : 0.25C Cut-off Voltage: 20V
	标称电压 Nominal Voltage	25.6V	
	能量 Energy	2560Wh	
	充电电压 Charge Voltage	29.2V	
	放电截止电 Discharge Cut-off voltage	20V	
	充电方式 Charge Method	CC/CV	
	标准充电电流 Standard Charge Current	25A	
	最大充电电流 Max. Charge Current	100A	
	标准放电电流 Standard Discharge Current	25A	
	最大持续放电电流 Max Continues Discharge Current	100A	
	循环寿命 Cycle Life	3500 times (次)	25℃ 80% DOD
	内阻 Internal Impedance	≤20 mΩ	
	尺寸 Dimension	L480xW482xH89mm	
	引出线 Output Wire	/	
	插头 Output Connector	2P DW38 100A Busbar	
重量 Weight	About 19kg		
工作温度范围 Working Temperature Range	Charge: 0℃--45℃ Discharge: -20℃--60℃		
储存温度 Storage Temperature	-10℃--50℃		

Product Display

